



Packet Optical Transport Products Portfolio

Control Plane

Data Plane

Management Plane

10GE/100GE Ecosystem



NG-PTN

L2/3

TN701B/C
10Gbps SW
GE SFP/RJ45
Indoor/Outdoor

1U

L2/3

TN703A
64Gbps SW
GE/XGE
E1/STM-1

2U

L2/3

TN704A
136Gbps SW
GE/XGE
E1/STM-1

2U

L2/3

TN704B*
680Gbps
100GE
GE/XGE

5U

L2/3

TN705E *
800Gbps SW
1/10/100GE
10G POS

9U

L2/3

TN765
960Gbps SW
1/10/100GE
10G POS

9U

L2/3

TN765E*
2Tbps SW
1/10/100GE
10G POS

GE/10GE Ecosystem



PTN

TN701A
4.4Gbps SW
GE SFP/FE RJ45
Indoor/Outdoor

1U

TN703C
6.4Gbps SW
FE/GE/E1
Indoor/Outdoor

1U

TN703E
44Gbps SW
FE/GE/XGE
E1/STM-1

3U

TN705
88Gbps SW
2.5/10G POS
FE/GE/XGE
E1/STM-1

7U

TN725
108Gbps SW
2.5/10G POS
FE/GE/XGE
E1/STM-1

7U

TN725E
176Gbps SW
FE/GE/XGE
E1/STM-1

18U

TN735
400Gbps SW
10GE/10G POS
FE/GE
E1/STM-1

SDN/NFV

SOO Network
NETWORK
SOO

Netman OMC-O
NMS

CPE

Access

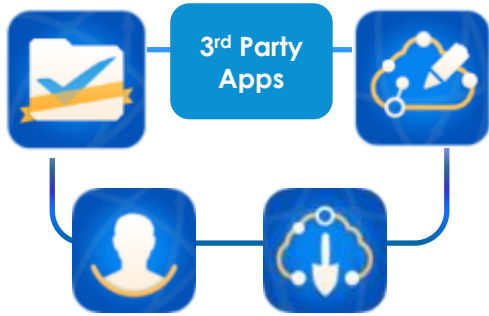
Aggregation

Core

Network Intelligence

* Development

SDN Product Line: “SOO (Software Defined Open Packet Optical) Network”



“SOO APP”: *SOO Store/Design/Care/Build/3rd party's*

- In house developed apps for customer manager, network design, maintenance & deployment etc.
- Open & standard interface for 3rd party's APPs integration



“SOO Station”: *SDN Controller*

- Distributed hierarchical SDN Controller
- Orchestration of abstracted underlying network resources
- Open APIs for vertical integration of applications
- End-to-end automated service provisioning
- Path computing and management



“SOO Device”: *SDN-ized Network Devices*

- Controlled by SOO station
- Hybrid network devices: legacy packet switching & open flow device
- Open & standard interface for 3rd party systems integration



Moving to a 100G Mobile Backhaul

MBH Networks today: BW shortage

- LTE networks growth and broadband bandwidth demand are pushing networks upgrade
- Most mobile operators' MBH networks are based on GE Access and 10G Aggregation or below which is not enough today

100G: The technology is there!

- 100G cost reduction and new hardware solution available today
- 10G access and 100G become very cost competitive: same cost/price as GE/10GE system few years ago

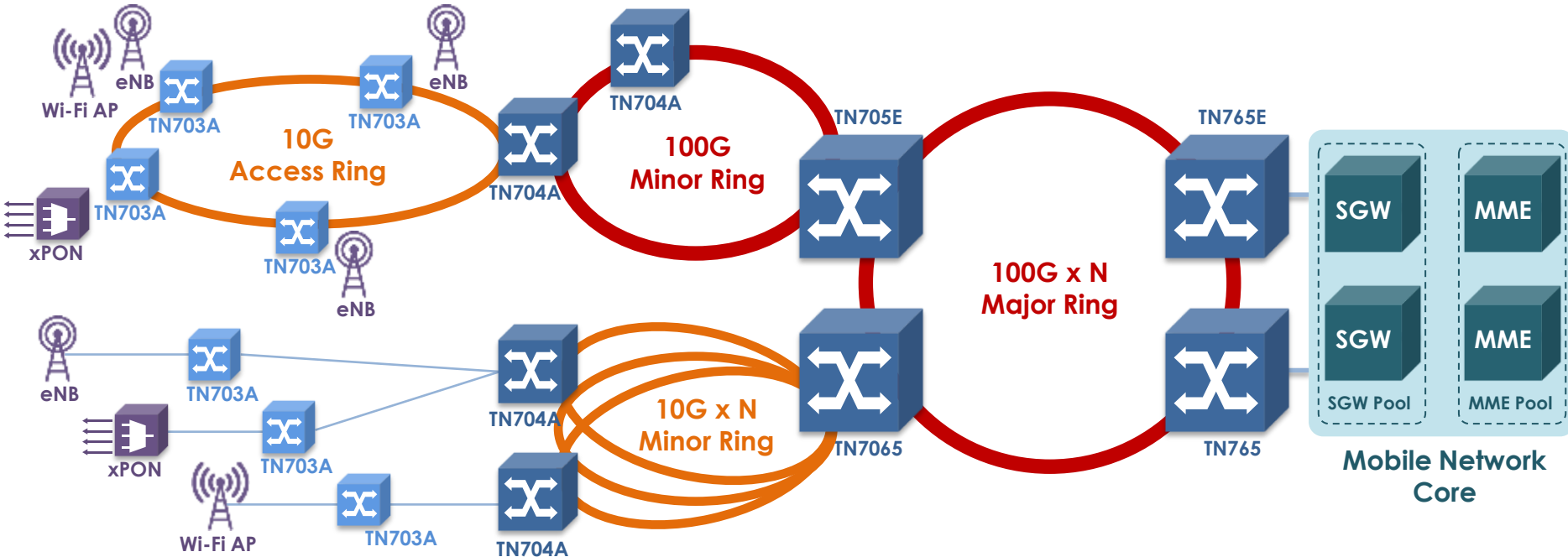


10G Access and 100G Aggregation

Metro Access

Metro Aggregation/Core

Mobile Core

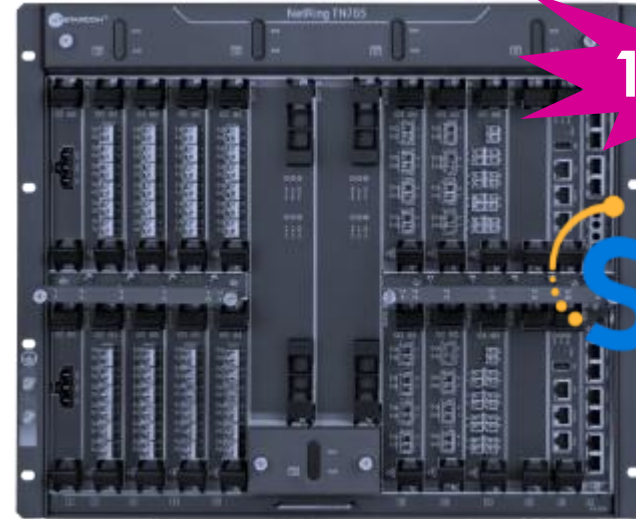




100GE MBH Core: NetRing TN765E

FEATURES

- An ultra-high-capacity rack-mount device for Metro Aggregation or Metro Core Applications
- Simple and reliable transport with connection-oriented **MPLS-TP/CE** technology
- Carrier-class modular design with 16 pluggable slots
- **9U** small form factor
- Ultra high capacity: **2T** full duplex switching fabric
- Full hardware redundancy with 1+1 protection for control, switch, clock and power supply
- 10GE, **100GE**, 10G POS interfaces, industry leading 10GbE/100GbE port density
- Sub-50ms protection. LSP, PW protection, LACP, Dual homing, LPT
- Hierarchical MPLS-TP OAM support
- Ethernet OAM: 802.3ah, 802.1ag, Y.1731*
- L3 Function*
- BoD*, Automated provisioning
- **IEEE1588v2* & Synch Ethernet**
- -48VDC power supply



AT A GLANCE

- 2Tbps full duplex switching fabric
- 16 slots, maximum interface capacity:
 - 16 x 100GE
 - 64 x 10GE (XFP)
 - 96 x 10GE (SFP+)
- 9U, 19"/ETSI/ANSI rack mountable
- Typical Power Consumption: 1000W
- SDN SOO-Network compatible

FEATURES

- An ultra-high-capacity rack-mount device for Metro Aggregation or Metro Core Applications
- Simple and reliable transport with connection-oriented **MPLS-TP/CE** technology
- Carrier-class modular design with 16 pluggable slots
- **9U** small form factor
- Ultra high capacity: **960G** full duplex switching fabric and 1.28T aggregated access capacity
- Full hardware redundancy with 1+1 protection for control, switch, clock and power supply
- GE, 10GE, **100GE**, 10G POS interfaces, built-in **DWDM**
- Sub-50ms protection. LSP, PW protection, LACP, Dual homing, LPT
- Hierarchical MPLS-TP OAM support
- Ethernet OAM: 802.3ah, 802.1ag, Y.1731*
- L3 Function*
- BoD*, Automated provisioning
- **IEEE1588v2* & Synch Ethernet**
- -48VDC power supply

* Denotes features available in a future release



AT A GLANCE

- 960Gbps full duplex switching fabric
- 16 slots, maximum interface capacity 1.28T:
 - 4 x 100GE
 - 64 x 10GE (XFP)
 - 96 x 10GE (SFP+)
- 9U, 19"/ETSI/ANSI rack mountable
- Typical Power Consumption: 850W
- SDN SOO-Network compatible
- MEF CE2.0 Certified

MBH Aggregation: NetRing TN705E

FEATURES

- A compact high-capacity rack-mount device for Metro Aggregation or Metro Core Applications
- Simple and reliable transport with connection-oriented **MPLS-TP/CE** technology
- Carrier-class modular design
- Hardware redundancy with 1+1 protection for control, switch, clock and power supply
- **5U** small form factor
- Ultra high capacity: **960G** total capacity
- GE, 10GE, **100GE**, 10G POS interfaces
- **Sub-50ms protection**. LSP, PW protection, LACP, Dual homing, LPT, Y-Cable Protection*
- Hierarchical MPLS-TP OAM support
- Ethernet OAM: 802.3ah, 802.1ag, Y.1731
- **L3 Function** (Static and Dynamic), IPv4/6 support
- BoD, Automated provisioning
- **IEEE1588v2 & Synch Ethernet**
- DC power modules with 1+1 protection



AT A GLANCE

- 960Gbps total full duplex capacity
- 8 slots, maximum interface capacity:
 - 8 x 100GE with hot pluggable CFP2 modules
 - 96 x GE/10GE with hot pluggable SFP/SFP+/T-SFP modules
 - 32 x 10G POS with tunable XFP
- 5U, 19"/ETSI rack mountable
- Max Power Consumption: 880W
- SDN SOO-Network compatible



MBH Aggregation: NetRing TN705

FEATURES

- Simple and reliable transport with connection-oriented **MPLS-TP/CE** technology
- Carrier-class modular design
- Hardware redundancy with 1+1 protection for control, switch, clock and power supply
- **3U** small form factor
- High capacity: **88G** total capacity
- GE, 10GE, 10G POS interfaces
- **Sub-50ms protection**. LSP, PW protection, LACP, Dual homing, LPT, Y-Cable Protection*
- Hierarchical MPLS-TP OAM support
- Ethernet OAM: 802.3ah, 802.1ag, Y.1731
- BoD, Automated provisioning
- **IEEE1588v2 & Synch Ethernet**
- DC power modules with 1+1 protection



AT A GLANCE

- 88Gbps Full-Duplex Switching Fabric
- Dimension: 440x133x380mm WidthxHeightxDpth (3RU)
- 19"/ETSI/ANSI rack mountable
- Typical power consumption: 150W
- SDN SOO-Network compatible*

* Denotes features available in a future release

FEATURES

- A compact high-capacity rack-mount customer edge device targeted at Access Applications
- Simple and reliable transport with connection-oriented **MPLS-TP/CE** technology
- Carrier-class modular design, fixed system board and 2 exchangeable sub slots
- Compact design: **1U** high pizza box
- High capacity in compact enclosure: **64G** full duplex switching fabric
- GE, 10GE, E1, STM-1 interfaces
- **Sub-50ms protection**. LSP, PW protection, LACP, Dual homing, LPT, Y-Cable Protection, MSP for STM-1
- Hierarchical MPLS-TP OAM support
- Ethernet OAM: 802.3ah, 802.1ag, Y.1731
- **L3 Function** (Static and Dynamic) with support of IPv4/6*
- BoD, Automated provisioning*
- **IEEE1588v2 & Synch Ethernet**
- AC or DC power modules with 1+1 protection
- Outdoor applications: -40...65°C

* Denotes features available in a future release



AT A GLANCE

- 64Gbps full duplex switching fabric
- 2 sub-slots, maximum interface capacity:
 - 4 x 10GE with pluggable SFP+ modules
 - 28 x GE with pluggable SFP modules
 - 8 x STM-1
 - 32 x E1
- 1U, 19"/ETSI rack mountable
- Max Power Consumption: 100W
- SDN SOO-Network compatible*

FEATURES

- A compact CPE/Access device targeted at Access Applications, optimized for Wireless Access Applications
- Simple and reliable transport with connection-oriented **MPLS-TP/CE** technology
- Compact enclosure, carrier-class design
- High capacity in compact enclosure: **10G** full duplex switching fabric
- Optical and electrical GE interfaces
- 8 x GE(RJ-45) interfaces with support of **PoE** IEEE 802.3 af/IEEE 802.3at, max power budget is 80W
- E-LINE, E-LAN and E-Tree service
- **Sub-50ms protection**. LSP, LACP, LPT
- MPLS-TP OAM support
- AC power supply: 90V~240V
- Desktop and wall-mountable
- Outdoor applications: -40...65°C



AT A GLANCE

- 10Gbps full duplex switching fabric
- Maximum interface capacity:
 - 2 x GE with pluggable SFP modules
 - 8 x GE RJ-45 PoE
- 300mm(W)*210mm(D)*44.45mm(H)
- Max Power Consumption: 100W
- SDN SOO-Network compatible*